

AERO MANUFACTURING CO  
SURGICAL SCRUB SINK  
ONE PERSON STATION

14 GA 304 S/S

BOWL 15 X 22 X 8

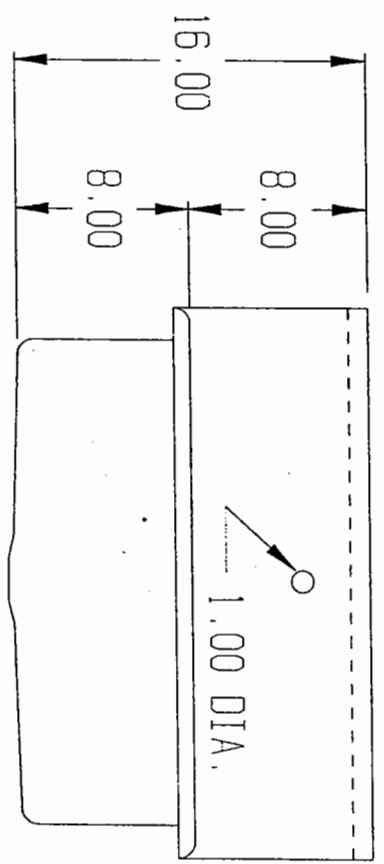
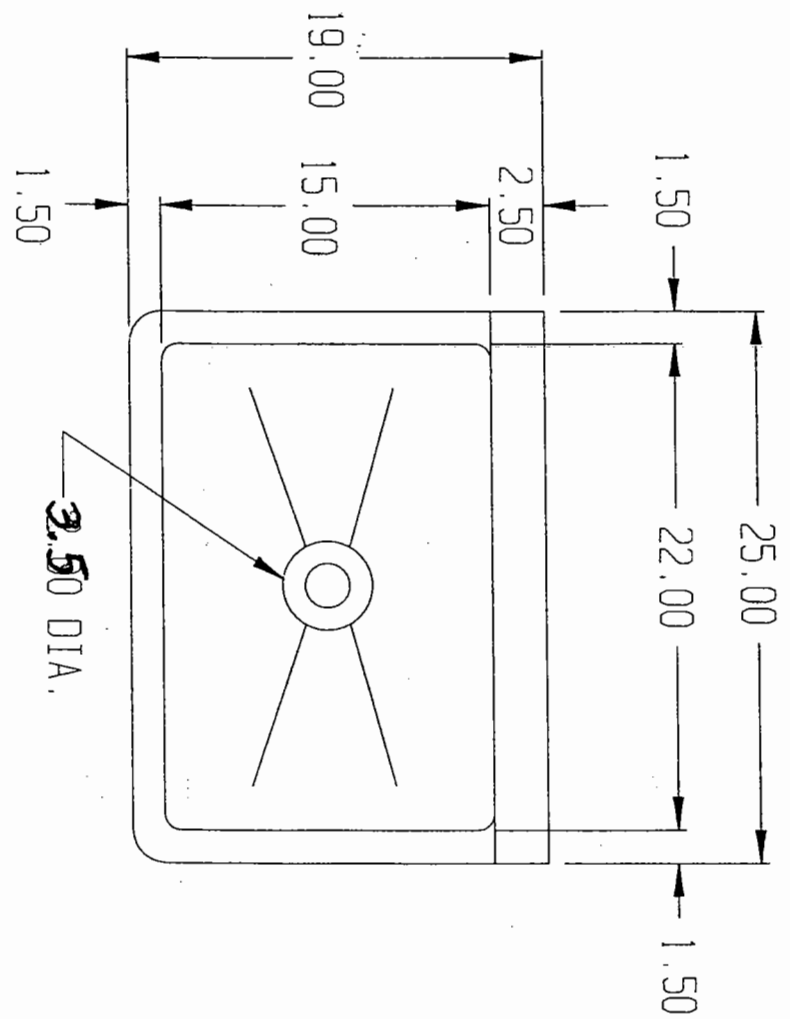
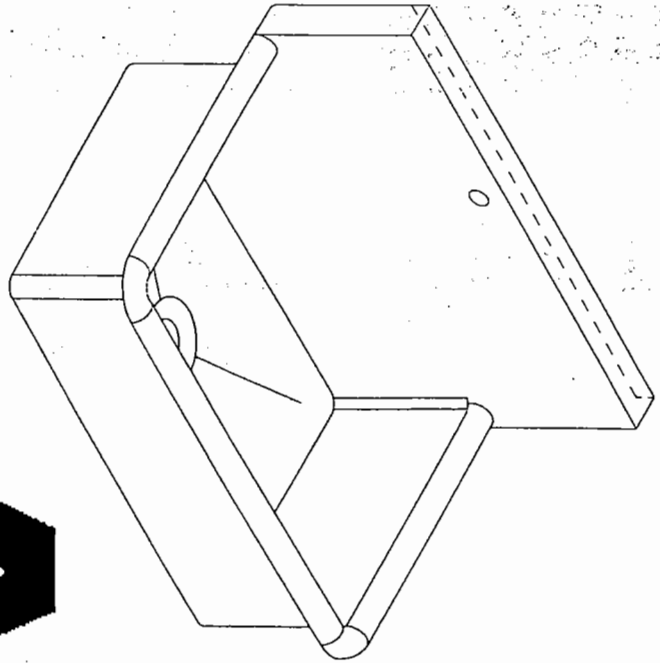
3" REAR SPLASH

#4 FINISH ON MATERIAL

STANDARD DRAIN INCLUDED

UNIT CAN BE FITTED WITH THE FOLLOWING TRIM

- 1 HAND OPERATED FACUET
- 2 ELECTRONIC FACUET
- 3 FOOT OPERATED CONTROLS



**A**  
**AERO MANUFACTURING COMPANY**  
310 Alhambra Road, Clifton, NJ 07012  
(800) 237-6524 • Fax: (973) 473-3794 • e-mail: sales@aero-mfg.com