



Mobile, Powered Positioning
Multi-Purpose
Stretcher-Chairs

A Universal Care Platform™

TMM4 Series

Mobile, Powered Positioning **Multi-Purpose** Stretcher-Chairs

Standard Features

- **24" STANDARD SEAT WIDTH**
(Optional 28" seat width available)
- **500 LB PATIENT WEIGHT CAPACITY**
- **FULL RADIOLUCENT BACK** allows for imaging procedures
- **SELF-STORING PUSH BARS** swing down for unobstructed view of patient
- **QUICK CHANGE BATTERIES (2) & WALL MOUNT BATTERY CHARGER**
(A/C Plug-In model available)
- **PUSH-BUTTON PENDANT CONTROL** for exceptional patient positioning
- **SWING & TUCK SIDE RAILS** for easier and safer patient ingress/egress
- **MANUAL QUICK RELEASE BACKREST**
- **MEMORY FOAM CUSHIONS** for enhanced patient comfort
- **AUTO-EXTENDING FOOTREST**
(Optional Manual-Folding Footrest available)
- **BRAKE & STEER CASTER SYSTEM** for easy mobility
- **DUAL COLUMN BASE** provides a 25"-33" seat height
(Optional Triple Column base available)

Custom Options



Standard 24" Width



Wide 28" Width



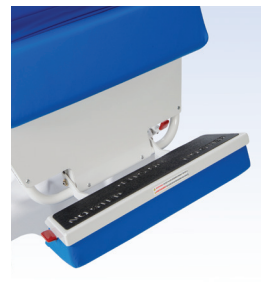
Battery



A/C Plug-In Model



Auto-Extending Footrest



Manual Folding Footrest



Dual (2) Column Base
25" - 33" Seat Height



Triple (3) Column Base
25" - 40" Seat Height

Safe Patient Handling

The TMM4 Multi-Purpose Stretcher-Chair with innovative powered patient positioning reduces the possibility of staff injury, decreases patient fall risk, and improves throughput. The TMM4's back, leg, and height adjustments enable conversion from chair to stretcher with the push of a button. It's a transport device, procedure chair, and stretcher all in one! It can be configured for departmental needs through a variety of **options** and **accessories**. The versatility of the TMM4 allows for utilization in many departments including:

- Audiology
- Bronchoscopy
- Dialysis
- Emergency/Triage
- Endoscopy
- ENT
- ICU/CCU
- Mammography
- Outpatient Surgery
- Pre-Op/PACU
- Radiology
- Transport
- Wound Care



One Patient, One Surface™ from admission to discharge.



Weigh Patients



Imaging



Procedure



Recline / Transport

Custom Options



Upper Mounted Rails
(not available with radiolucent back)



Integrated Scale



Lower Seat Height



Removable Headpiece
for ENG/VNG
(not available with radiolucent back)



Export Plug-in

TMM4-X



X-Seat Tilt Benefits

- Comfortable Recline Positioning
- Pressure Point Relief
- Precise Patient Positioning with knee gatch feature for procedures and surgery
- 20° Trendelenburg and 5° Reverse Trendelenburg in stretcher position

How an "X" differs from a standard TMM4:

- 3" longer wheel base
- Brakes and steer caster pedals located in middle
- Changes patient surface length depending on foot option chosen
- No foot rest
- 10-button pendant

If "R" - upper rails are added to "X" option, it reduces Trendelenburg by 10° and eliminates radiolucent back. Requires "W" option.

Accessories



Lap-Belt



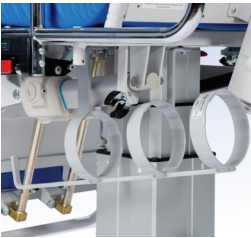
Armboard



IV Pole, Head Pillow



Chest Cassette Holder



Oxygen Tank Holder



Heel Stirrups



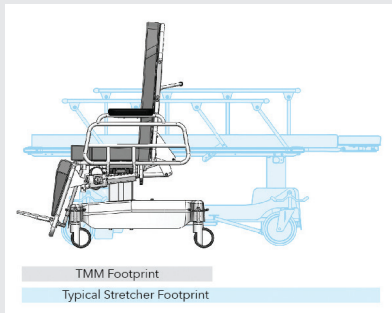
Folding Side Table



Foot Rest Pad

Visit transmotionmedical.com for additional accessories and cushion color options

Space Saving Footprint



A small footprint can make a big impression! In the seated position, the TMM4 requires half the space of a traditional stretcher and is easy to navigate through hallways, rooms, elevators, and other close quarters. Its small footprint allows more units to be available for patients as well as easier storage.

The TMM4 can also positively impact your financial bottom line. Reducing or eliminating patient transfers increases patient throughput and revenue potential while decreasing the likelihood of incurring the costs associated with staff injury and workers' compensation claims.

TransMotion Medical Limited Warranty

✕ 7-year/Lifetime Warranty for Frame/Welds

✕ 2-year Warranty on Components (*excluding batteries*)

* The Limited Warranty for any goods sold as a "demonstration" unit shall be limited to a period of one (1) year.

General Specifications

	Model TMM4-B	Model TMM4-WTB	Model TMM4-XB	Model TMM4-LB	Model TMM4-TLB
Max Patient Weight	500lbs/227kg	500lbs/227kg	500lbs/227kg	500lbs/227kg	500lbs/227kg
Seat Height - Low (to seat pan)	21"/54cm	21"/53cm	21"/54cm	20"/50cm	19"/49cm
Seat Height - High (to seat pan)	29"/74cm	37"/93cm	29"/74cm	28"/70cm	35"/89cm
Cushion Height	3.75"/9.5cm	3.75"/9.5cm	3.75"/9.5cm	3.75"/9.5cm	3.75"/9.5cm
Patient Seat Width	24"/61cm	28"/71cm	24"/61cm	24"/61cm	24"/61cm
Patient Surface Length	77"/195cm	77"/195cm	72"/184cm	72"/184cm	72"/184cm
Overall Width	30"/76cm	34"/87cm	30"/76cm	30"/76cm	30"/76cm
Overall Chair Height - High	62"/157cm	70"/178cm	63"/159cm	62"/157cm	68"/174cm
Overall Chair Height - Low	54"/137cm	53"/135cm	55"/139cm	52"/133cm	52"/131cm
Backrest Articulation	0° to 75°	0° to 75°	0° to 86°	0° to 75°	0° to 75°
Radiolucent Back (w x h)	20"x25.5" 51cm x 65cm	20"x25.5" 51cm x 65cm	20"x25.5" 51cm x 65cm	20"x25.5" 51cm x 65cm	20"x25.5" 51cm x 65cm
Trendelenburg	5°	5°	20°	5°	5°
Reverse Trendelenburg	0°	0°	5°	0°	0°
Side Rails - Height	13"/32cm	13"/32cm	13"/32cm	13"/32cm	13"/32cm
Side Rails - Length	26"/66cm	26"/66cm	26"/66cm	26"/66cm	26"/66cm
Charging System					
Input - Volts	100-240VAC	100-240VAC	100-240VAC	100-240VAC	100-240VAC
- Current	1.0A (max)	1.0A (max)	1.0A (max)	1.0A (max)	1.0A (max)
- Frequency	50/60 HZ	50/60 HZ	50/60 HZ	50/60 HZ	50/60 HZ
Output	+24V DC 1.5A	+24V DC 1.5A	+24V DC 1.5A	+24V DC 1.5A	+24V DC 1.5A
Max Power	36.0W	36.0W	36.0W	36.0W	36.0W
Cushion Flammability Rating	TB-117	TB-117	TB-117	TB-117	TB-117

Optional Integrated Scale Specifications

- Scale Readout Display: Hand Held w/ Coil Cord
- Scale Work Load: 500 Lbs/ 227 KGS
- Accuracy: 0.2% of Patient Weight or 0.2 Lb Whichever is Greater
- Repeatability: 0.2% of Patient Weight or +/-0.2 LB Whichever is Greater
- Weight Range: 25lbs-500lbs (Seated, Upright Position)
- Display Resolution: 0.1 Lb/ 0.1 KG
- Display Type: 16 Character Dot Matrix LCD
- Display Modes: Pounds/Kilograms/Weight
- Scale Readout Storage: Vinyl Coated
- Power Supply: 9V Battery (Replace Annually)

www.TransMotionMedical.com

5516 SW 1st Lane

Ocala, FL 34474

Phone: 866-237-3377 • 352-854-2929

Fax: 330-590-8111

Info@TransMotionMedical.com



Patented Intertek

TransMotion Medical is a registered trademark of Winco Mfg., LLC.

**Product Specifications and brochure content subject to change without notice*