

CFLU40 I

4 movement

Lithotripsy/Urology Table

- Designed to work with most portable lithotripters and C-Arms
- Left & right Lithotripter access
- Rugged design perfect for mobile or stationary use

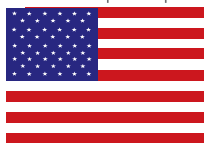


Urology Configuration



ISO 13485:2003
FM 584901

made in the USA
with US & imported parts



OAKWORKS[®]
MEDICAL
Position for Success

CFLU401 *Lithotripsy Table*

CONVERTS TO FULL
FEATURED UROLOGY
TABLE IN SECONDS!

The versatile 6 extension system allows you to convert the table from lithotripsy to urology configuration quickly, facilitating procedures that are sometimes needed.



CFLU401 #65421-T01

STANDARD		
Carbon Fiber Top 53" (135cm) Metal free imaging space with Patient Transfer Extension	23" (58cm) wide x 47" (119cm) long	
Motion 1	Electric Height Range 27.5" - 45.5" (69-114cm)	
Motion 2	Electric Trendelenburg tilt +15°/-11°	
Motion 3	Electric Longitudinal travel 10" (25cm)	
Motion 4	Electric Lateral travel ±4" (10cm)	
Controls	Multi-function foot & hand control	
Weight Capacity	500 lb (227kg) Each Extension: 200 lb (91kg)	
Product Weight	618 lb (280kg)	
Radiolucent Lateral Extensions	(1) Lateral Extension 8" x 24" (20cm x 60cm) (1) Lateral Extension 8" x 14" (20cm x 36cm) (2) Angled Lateral Extensions 8" x 11" (20cm x 28cm)	
Radiolucent Patient Transfer Extensions	(1) End Extension 23" x 28" (58cm x 71cm) (1) Short End Extension 23" x 16" (58cm x 40cm)	
Included Features	1" (3cm) Radiolucent Comfort Foam™ table top pad, 5" (13cm) locking casters, Digital angle gauge, patient safety straps (2), Industry standard full length Tr rails on each side, Urology bag hoop	
Warranty	3 years parts, 2 years labor	
Safety Listings	FDA listed, CE marked, cETLus approved, CB Certificate	
OPTIONS <i>must be ordered with table.</i>		
Non-USA electric system	call for ordering details	# 73134

UROLOGY BAG HOOP

Table comes with hoop and clamps to t-rails. (bags not included)



INCLUDED

PROTECTIVE DRAPE #69390

This removable clear vinyl drape acts as a splash shield. It attaches to the t-rail and facilitates movement of C arms and lithotripters without concerns about bumping into the table mechanisms.

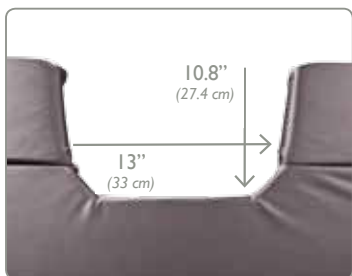


ACCESSORY



T-RAIL SLIDE & LOCK LATERAL EXTENSIONS

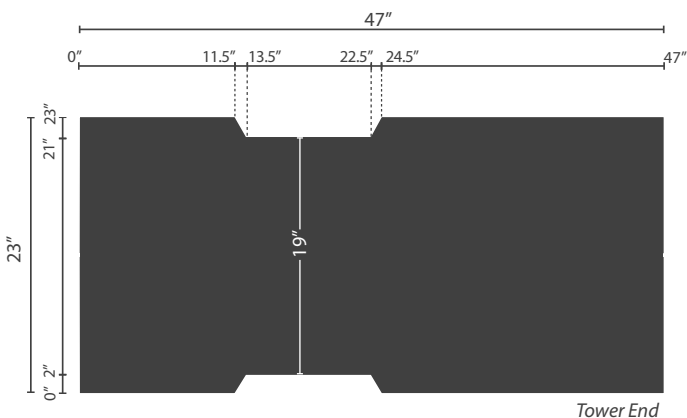
easily lock onto T-rails on either side of the table.



The two angled lateral extensions align with the table's recesses and can be adjusted along T-rails on each side.

23" W x 47" L CARBON FIBER TOP

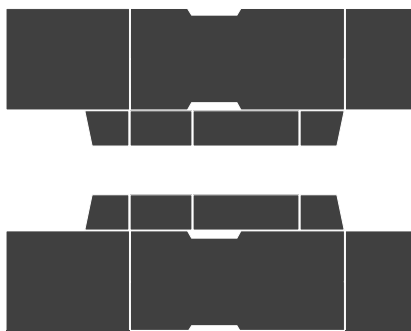
Imaging Area 19" W x 23.5" L (48cm x 59cm)



Tower End

6 RADIOLUCENT EXTENSIONS

Easy to attach and offer many different configurations. Two end extensions and four lateral extensions are included.



(2) 5" X 24" RADIOLUCENT LATERAL EXTENSIONS #66158



Removable lateral extensions slide and lock on T-rails.

(1) 23" WIDE X 28" LONG RADIOLUCENT PATIENT TRANSFER EXTENSION #66156



Lightweight design can be used for general imaging when a full length diving board table design is required.

INCLUDED FEATURES:

Industry Standard Full Length T-rails on each side

The Integrated T-rails are US standard size of .375" (9.5mm) thick by 1.25" (28.6mm) wide.

Digital Angle Gauge

1" Comfort Foam™ Table Top Pad

(2) Patient Safety Straps

84" L with 24" of Velcro® at each end



Heavy Duty 5" Locking Casters

with directional locks on tower end only.

LITHOTRIPSY ACCESSORIES

LIFT ASSIST STIRRUP SYSTEM BARIATRIC RATED #72868



ACCESSORY

STAINLESS STEEL CLARK SOCKET #72870



ACCESSORY

ADJUSTABLE KNEE CRUTCH SUPPORT #72872



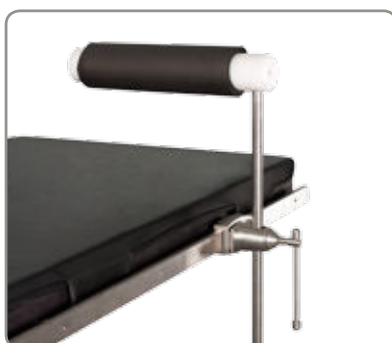
ACCESSORY

LIFT ASSIST STIRRUP SYSTEM #72866



ACCESSORY

TOTAL KNEE STABILIZER #72873



ACCESSORY

BASIC STIRRUP LEG HOLDERS #72869



ACCESSORY

CONTACT:

View our full line of Medical products



Scan this code with your smart phone

#72703

