



DECONTAMINATION STATIONS

3-Bowl Soak,
Pre-rinse & Rinse
for infection control

Choose Blickman's new Decontamination Stations for optimal infection control. Blickman has the equipment you need to ensure infection control in today's high-risk healthcare environments. Our durable stainless steel decontamination stations meet the stringent Association for the Advancement of Medical Instrumentation (AAMI) guidelines for maximum sterility .

Model DSBC

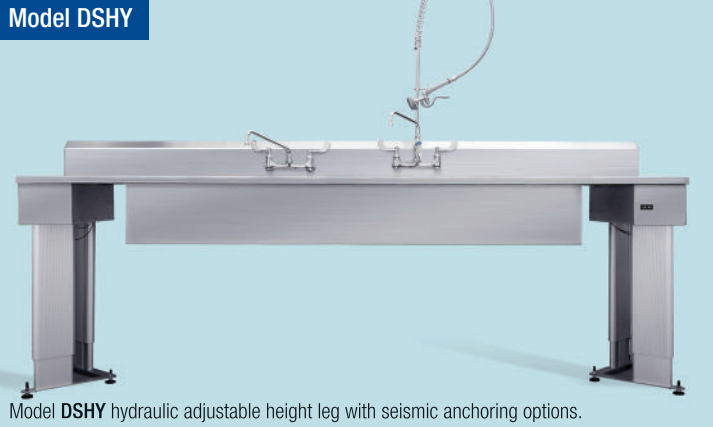


Model DSHB



With legs and cross bracing

Model DSHY



Model DSHY hydraulic adjustable height leg with seismic anchoring options.

- AAMI - recommended three-bowl functionality
- Ergonomic, 36" working height
- Adjustable levelers on base of cabinets
- Unique, "no-drip" sink lip
- Integrally-welded, 16-gauge cove-cornered stainless steel bowls with pitched bottoms for proper drainage
- Permanently etched gallon and liter calibration inside each bowl for precise measurement
- Wall-mounted faucet with 12" swing and 4" wrist blade handles
- Pre rinsed combination faucet
- Wall-mounted air, gas and vac-valve with serrated, barbed-end (installed separately)
- 3-Bowl 25" x 18" x 10" deep
- 8" Back splash

Blickman's symmetrical design can be arranged for either left or right workflow.

18" counter space is provided on both sides of the Sink.

The sinks allow full immersion of surgical instrument Trays and are available in your choice of DSBC (with base cabinets) and DSHB (with legs and cross bracing models to fit your workflow needs). DSHY with hydraulic leg.

Consult Blickman for customization.



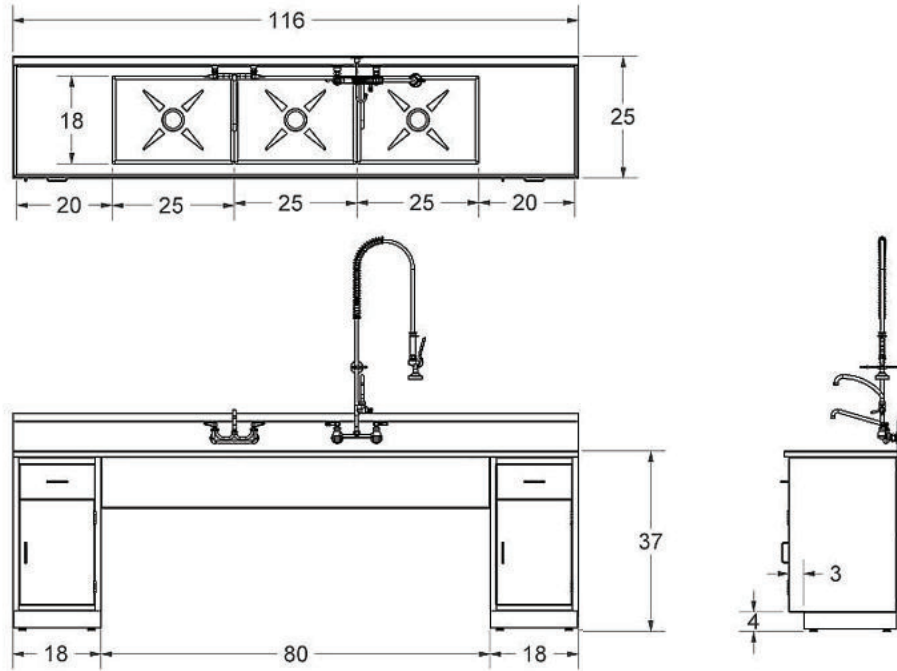
BLICKMAN, INC.
500 US HIGHWAY 46 EAST
CLIFTON, NJ 07011
800.247.5070
www.blickman.com



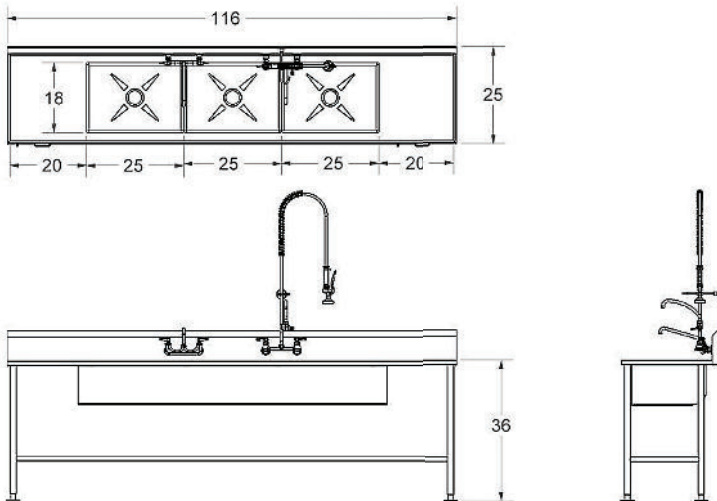
DECONTAMINATION STATIONS

3-Bowl Soak,
Pre-rinse & Rinse
for infection control

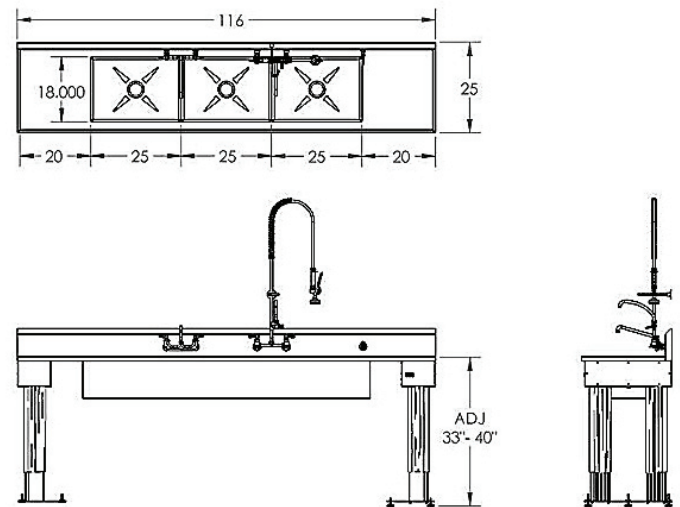
Model DSBC



Model DSHB



Model DSHY



BLICKMAN, INC.

500 US HIGHWAY 46 EAST
CLIFTON, NJ 07011
800.247.5070
www.blickman.com

Model #	Part #	Length	Depth	Height
DSBC	161DSBC001	116"	25"	37"
DSHB	161DSHB001	116"	25"	36"
DSHY	161DSHY001	116"	25"	33-40"