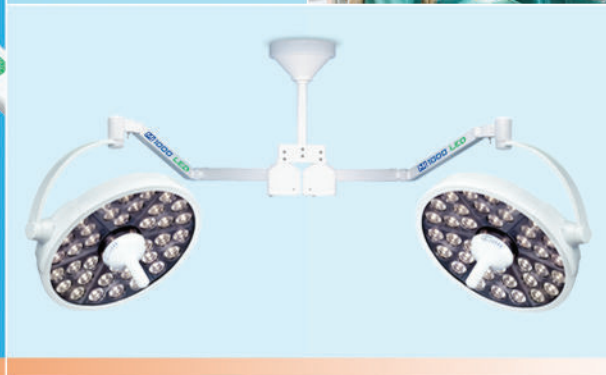


MI 1000 LED

Bovie[®]

MI 1000 LED

THE NEXT GENERATION
IN SURGERY LIGHTING



COMPELLING

The MI 1000 light is part of the "cutting-edge" MI LED SERIES by Medical Illumination International

COOL

The MI 1000 light emits very low heat

BRIGHT

The MI 1000 light is output rated at 100,000 lux (9,300 foot candles) at 4,300 degrees Kelvin color temperature

EFFICIENT

"GREEN TECHNOLOGY"...The MI 1000 light uses significantly less electric consumption than standard halogen lights

RELIABILITY

Lighting equipment (excluding replacement parts) has a three (3) yr. limited warranty. Long-life LED's, rated at 50,000 hrs.

VERSATILE

Available in a variety of mounting options

INNOVATIVE


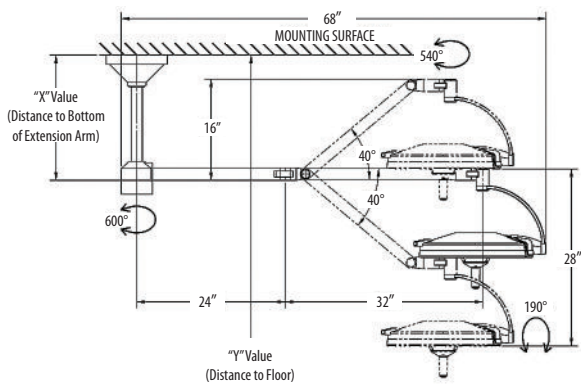
Five-stage dimming and on/off switch controlled from sterilizable handle

CONVENIENT





No replacement bulbs or fuses necessary...lower overall maintenance costs

SURGICAL LIGHTING

MI 1000 LED
INCLUDES

Single Ceiling Mount Model	Rotation and Arm Movement
 <p>a. Head b. Articulating Arm c. Single Ceiling Mount</p>	
XLD-SC	

OTHER MI 1000 LED MODELS
AVAILABLE

<p style="text-align: center;">Wall Mount Model</p>  <p style="text-align: center;">XLD-WM</p>	<p style="text-align: center;">Dual Ceiling Model</p>  <p style="text-align: center;">XLD-DC</p>	<p style="text-align: center;">Portable Floor Model</p>  <p style="text-align: center;">XLD-FM</p>
<p style="text-align: center;">Single Trolley Chuttle Trak Model[†]</p>  <p style="text-align: center;">[†]Ceiling tracks sold separately</p>	<p style="text-align: center;">Dual Trolley Chuttle Trak Model[†]</p> 	

For more product information, contact your Bovie sales representative.

MI 1000 LED TECHNICAL
SPECIFICATIONS

Dimensions:	
Head	18" (457 mm) Dia. X 4" High (102 mm)
Arm	57.0" (1448 mm) Long
Arm (Floor)	38.5" (978 mm) Long
Floor Stand	74.5" (1892 mm) High

Weight:	
Head	Approximately 13.5 lbs. (6.1 kg)
Arm	Approximately 12.5 lbs. (5.7 kg)
Arm (Floor)	Approximately 11.5 lbs. (5.2 kg)
Wall Bracket Assy.	Approximately 3.0 lbs. (1.4 kg)
Floor Stand Assy.	Approximately 43.0 lbs. (19.5 kg)
Single Ceiling Mount	Approximately 14.5 lbs. (6.6 kg)
Dual Ceiling Mount	Approximately 16.0 lbs. (7.3 kg)

Rotations:	
Articulating Arm Vertical Movement	+/- 40 Degrees travel
Articulating Arm Horizontal Movement	Approximately 540 Degrees
Articulating Arm/Yoke Interface	Approximately 540 Degrees
Yoke/Lamp Head Interface	Approximately 190 Degrees

Data:	
Light Source	LED
LED Life in Hours	50,000 (Average)
Kelvin Color Temperature	4300
Lux	100,000
Power Consumption	60 Watts
Input Voltage	100 - 240 VAC 50/60 Hz

Made in the USA. The MI LED Series is currently only available for sale in the USA.